

DELLA

SD & SB SERIES

Downblast Spun Aluminum Exhausters Direct & Belt Drive Series



Direct Drive
Exhausters



Belt Drive
Exhausters

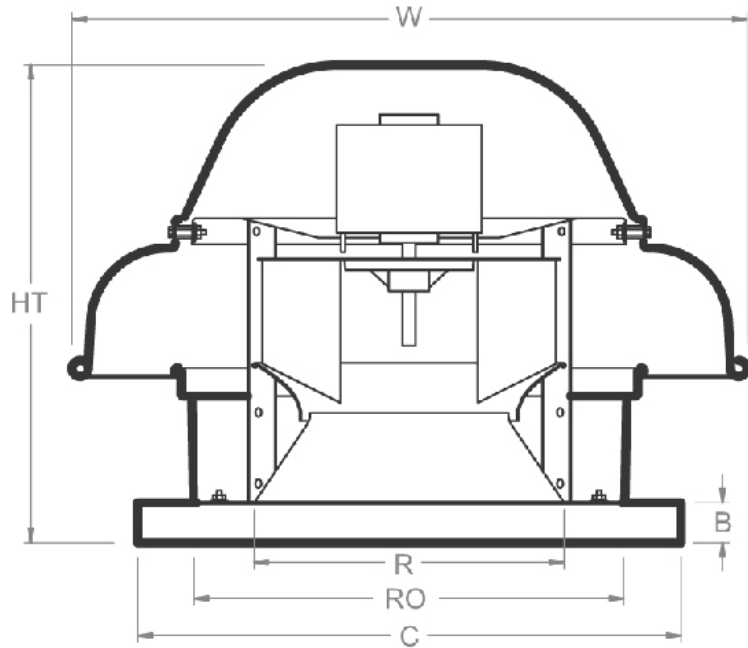
Providers of Air Movement Solutions



SD Series Direct Drive Exhausters

Features:

- Spun aluminum housing for dust-free, weather resistant durability
- Non-overloading backward inclined wheels, blades and inlets fabricated from 3003-H14 aluminum
- Wall mount applications; units up to 24" nominal wheel can be wall mounted
- Variable Speed motor control with "off" setting
- Standard bird screen
- Gravity Damper
- Available optional accessories: Back draft damper



Dimensions (inches)

Model	Wheel Dia.	HT	W	B	C	R	RO	Shaft Dia.	Motor HP	Wt. (lbs.)
SD-10	9	14-1/2	20-3/4	2	19	8-1/8	13	--	.08	30
SD-12	10-1/2	16-1/4	23-3/4	2	19	10-5/8	13	--	0.14	35
SD-25	11-3/4	19-1/8	26-1/4	2	21	12-1/8	16	--	0.25	45
SD-30	11-3/4	19-1/8	26-1/4	2	21	12-1/8	16	--	0.25	45
SD-33	11-3/4	19-1/8	26-1/4	2	21	12-1/8	16	--	0.33	45
SD-50	13-3/4	21-3/4	29-3/4	2	21	13-1/4	16	--	0.50	50
SD-75	15-3/4	23-3/8	33-1/4	2	24-3/4	14-7/8	20	--	0.75	60
SD-85	15-3/4	23-3/8	33-1/4	2	24-3/4	14-7/8	20	--	0.75	60

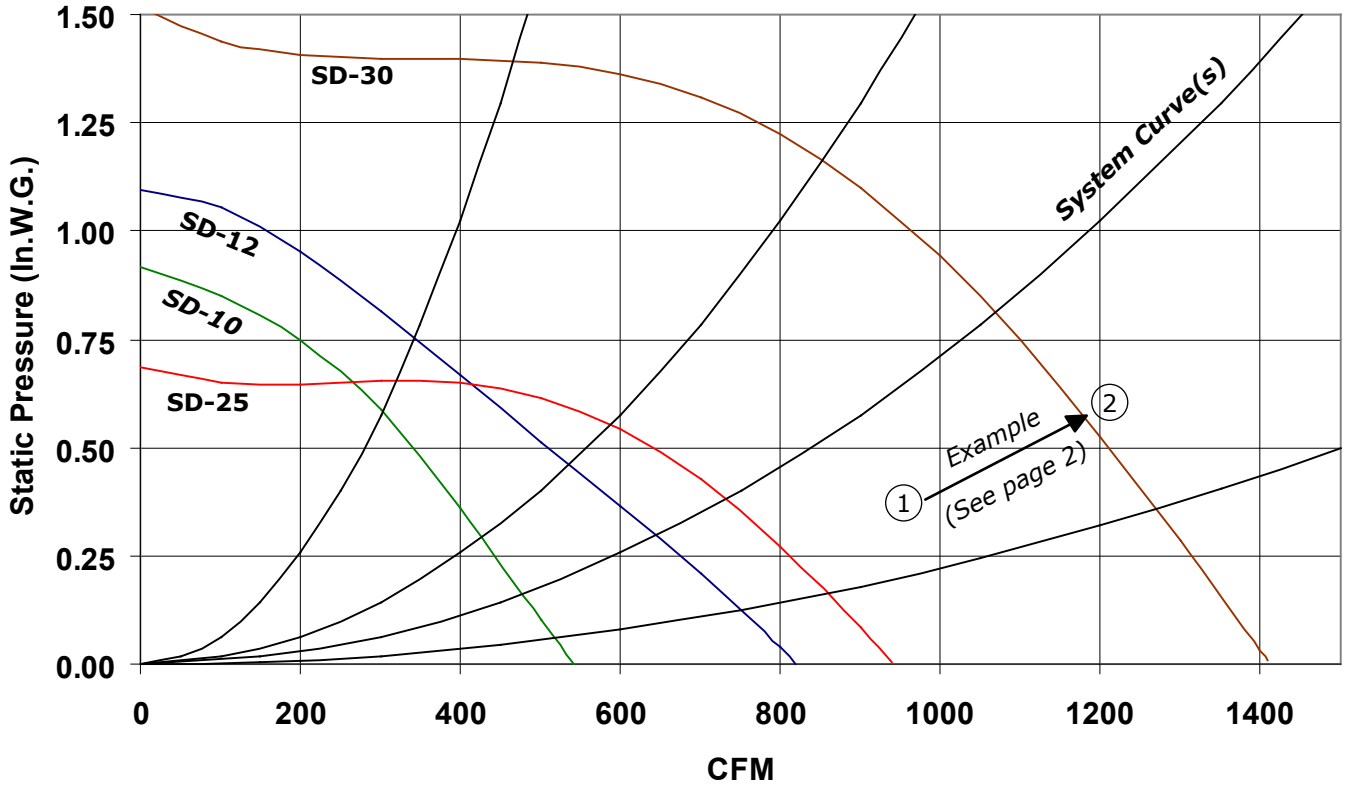
How to select a Direct Drive Blower

1. Locate your system characteristics (CFM & SP) on the chart with the blower performance curves.
2. Move up the System curve to intersect the closest blower performance curve. That is the performance (CFM & SP) that the blower will provide at full speed.
3. Note the CFM.
4. The ratio of the full speed CFM to the desired CFM is the amount of speed reduction required to operate at the desired CFM.

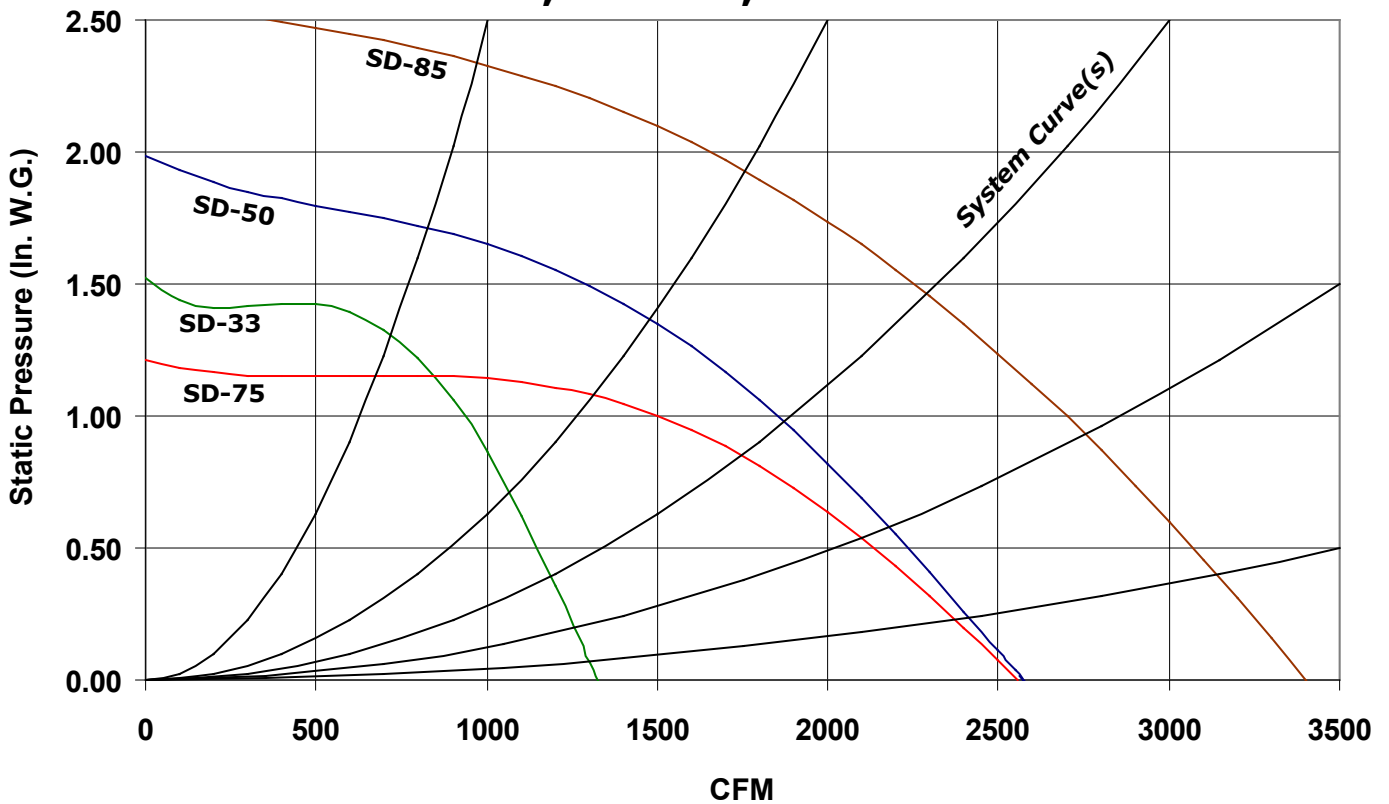
Example: Required 1000 CFM @ 0.375 in. W.G. (ref. SD-10 to SD-30 curves p.3)

1. Locate 1000 CFM @ 0.375 in. W.G. on the chart (pt.1).
2. Move up the chart, parallel to the system curves (arrow), to intersect the 1st blower curve (SD-30). The intersection point, (pt.2), 1200 CFM @ 0.54 in W.G. is the performance that the SD-30 will deliver at full RPM.
3. To deliver the desired 1000 CFM, using the speed controller, reduce the RPM to attain the required 1000 CFM. In this case the required reduction is $1 - (\text{required CFM} / \text{full speed CFM}) = 1 - (1000/1200) = 17\%$.

SD-10, SD-12, SD-25 & SD-30



SD-33, SD-50, SD-75 & SD-85

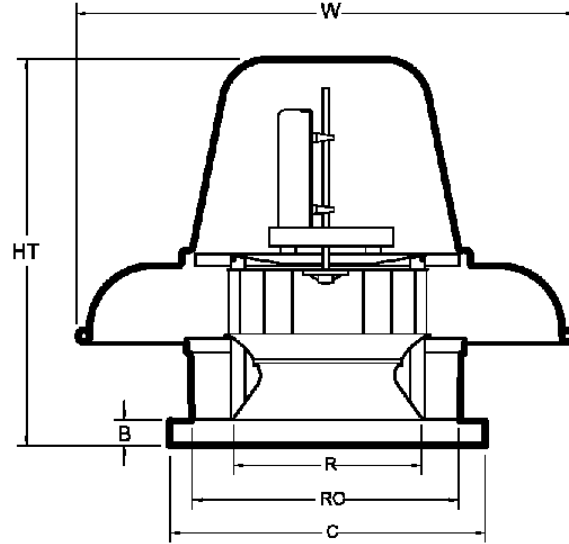




SB Series Belt Drive Exhausters

Features:

- Spun aluminum housing for dust-free, weather resistant durability
- Non-overloading backward inclined wheels, blades and inlets fabricated from 3003-H14 aluminum
- Wall mount applications; units up to 24" nominal wheel can be wall mounted
- Standard bird screen
- Gravity Damper
- Disconnect switch box
- Quick release latches for easy access to motor.
- Available optional accessories: Back draft damper



Dimensions (inches)

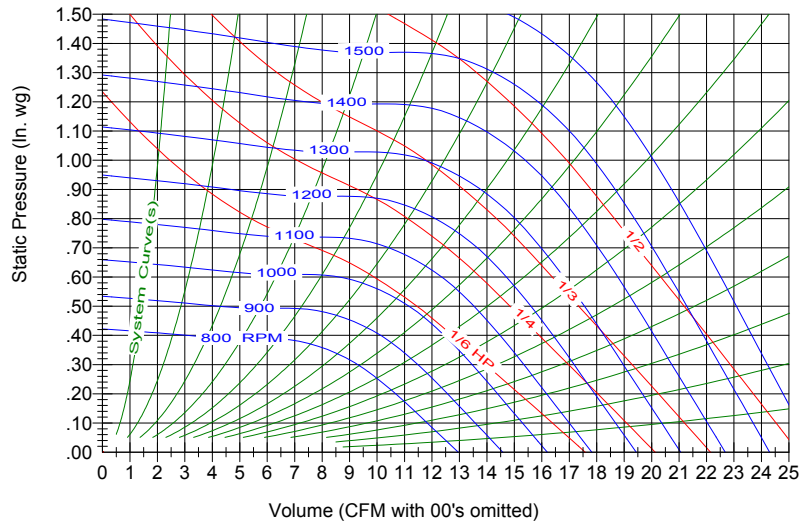
Model	Wheel Dia.	HT	W	B	C	R	RO	Shaft Dia.	Motor HP	Wt. (lbs.)
SB-13	13-3/4	27-1/4	29-5/8	2	21	13-1/4	16	3/4	1/2	105
SB-15	15-3/4	30-5/8	33-1/4	2	24-3/4	14-7/8	20	3/4	1	130
SB-18	18-3/4	32-3/4	38-1/4	2	28	16-1/2	24	1	2	190
SB-24	24-3/4	37-3/4	42-1/2	2	33	23-7/8	28	1	5	215
SB-30	30-3/4	40	52	2	40	24	36	1-3/16	5	380

Power rating bhp does not include transmission losses. Performance shown is for installation Type A: Free Inlet, Free Outlet. Performance ratings do not include the effects of appurtenances (accessories).

SB-13

Max RPM - 1530

Motor:
Max HP - 1/2
Max Frame - 56T

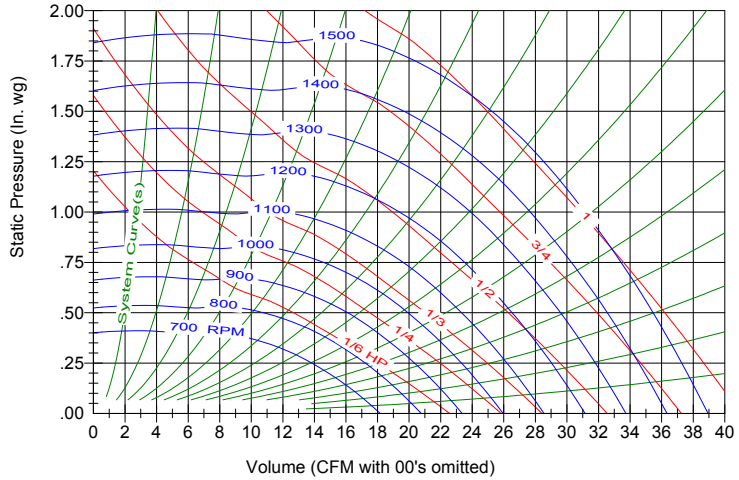


CFM	OUTLET VELOCITY FPM	1/8" SP		1/4" SP		1/2" SP		3/4" SP		1" SP		1-1/2" SP		2" SP		2-1/2" SP									
		RPM	BHP	SONES	RPM	BHP	SONES	RPM	BHP	SONES	RPM	BHP	SONES	RPM	BHP	SONES	RPM	BHP	SONES						
1200	823	396	0.09	2.7	492	0.13	3.3	653	0.23	5.3	798	0.38	7.5	917	0.53	9.4	1114	0.84	13.1	1276	1.18	--	1416	1.53	23
1400	960	427	0.12	3.3	519	0.18	4.0	666	0.28	5.6	800	0.42	7.8	922	0.59	9.6	1121	0.94	13.6	1287	1.31	17.3	1430	1.69	24
1600	1097	461	0.17	4.2	546	0.23	4.8	685	0.34	6.2	807	0.47	7.9	924	0.64	9.6	1126	1.03	13.8	1295	1.44	17.6	1440	1.86	25
1800	1234	499	0.22	5.1	575	0.29	5.6	709	0.42	6.9	823	0.54	8.5	929	0.70	9.9	1130	1.11	13.9	1299	1.56	18.0	--	--	--
2000	1371	540	0.29	6.1	607	0.36	6.5	736	0.52	7.8	843	0.65	9.1	943	0.80	10.2	1132	1.18	13.9	1304	1.67	18.1	--	--	--
2200	1508	583	0.37	7.3	641	0.44	7.5	763	0.61	8.7	867	0.77	9.8	962	0.92	10.9	1137	1.28	14.1	1306	1.77	18.2	--	--	--
2400	1646	626	0.47	8.3	678	0.53	8.6	791	0.72	9.7	895	0.91	10.8	984	1.07	11.9	1151	1.43	14.8	1306	1.86	18.2	--	--	--
2600	1783	670	0.58	9.5	717	0.65	9.6	821	0.84	10.6	922	1.06	11.7	1009	1.24	12.9	1169	1.59	15.6	--	--	--	--	--	--
2800	1920	713	0.71	10.5	758	0.79	11.0	854	0.98	11.7	950	1.21	12.6	1037	1.43	13.7	1189	1.81	16.7	--	--	--	--	--	--
3000	2057	757	0.86	11.9	800	0.95	12.1	888	1.14	12.4	978	1.38	13.5	1064	1.62	15.0	--	--	--	--	--	--	--	--	--
3200	2194	800	1.03	13.2	843	1.13	13.4	923	1.32	13.8	1008	1.57	14.9	1092	1.83	16.5	--	--	--	--	--	--	--	--	--
3400	2331	844	1.22	14.3	887	1.33	14.6	959	1.52	14.8	1041	1.78	16.1	--	--	--	--	--	--	--	--	--	--	--	--

SB-15

Max RPM - 1520

Motor:
 Max HP - 1
 Max Frame - 145T



SI CONVERSION FACTOR

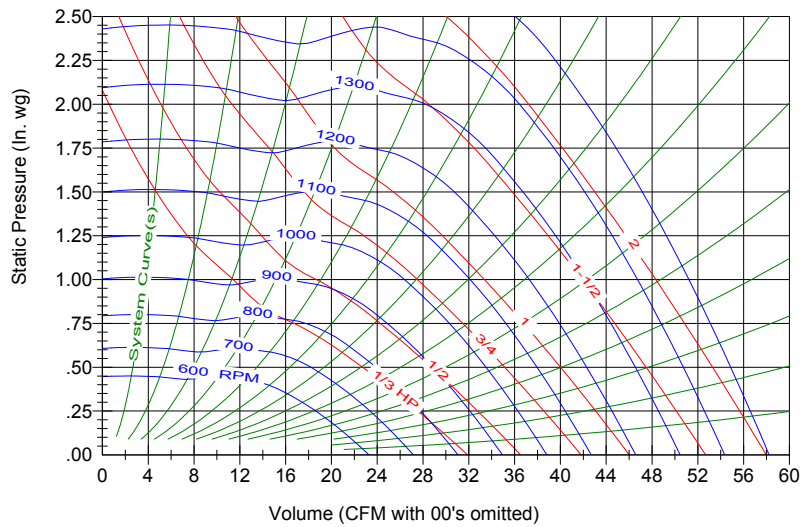
$CFM \times 0.472 = L/s$ $SP \times 0.249 = kPa$

CFM	OUTLET VELOCITY FPM	1/8" SP		1/4" SP		1/2" SP		3/4" SP		1" SP		1-1/2" SP		2" SP		2-1/2" SP													
		RPM	BHP	SONES	RPM	BHP	SONES	RPM	BHP	SONES	RPM	BHP	SONES	RPM	BHP	SONES	RPM	BHP	SONES										
800	771	427	0.05	2.1	542	0.08	3.3	726	0.14	5.3	895	0.23	7.5	1033	0.32	9.8	1255	0.52	14.3	1436	0.72	18.5	1592	0.93	--	--	--	--	
900	868	451	0.07	2.7	557	0.10	3.7	731	0.16	5.4	893	0.25	7.5	1033	0.35	9.8	1263	0.56	14.6	1447	0.78	18.5	1606	1.01	--	--	--	--	
1000	964	476	0.08	3.1	575	0.12	4.1	745	0.19	5.6	887	0.27	7.5	1033	0.37	9.8	1266	0.60	14.6	1456	0.84	18.5	1618	1.09	--	--	--	--	
1100	1060	503	0.10	3.8	596	0.14	4.6	761	0.22	5.9	895	0.30	7.5	1028	0.40	9.7	1265	0.63	14.6	1460	0.89	18.6	1626	1.16	22	--	--	--	--
1200	1157	530	0.12	4.3	620	0.16	5.0	776	0.25	6.3	908	0.33	7.8	1026	0.43	9.7	1265	0.68	14.6	1461	0.94	18.6	1632	1.23	22	--	--	--	--
1300	1253	559	0.15	5.0	645	0.19	5.5	792	0.28	6.7	926	0.38	8.2	1037	0.47	10.1	1262	0.71	14.6	1461	0.99	18.6	1634	1.29	22	--	--	--	--
1400	1350	589	0.18	5.6	670	0.23	6.0	810	0.32	7.0	940	0.42	8.6	1051	0.52	10.3	1255	0.75	14.3	1461	1.05	18.6	1633	1.35	22	--	--	--	--
1500	1446	619	0.21	6.3	696	0.26	6.7	831	0.37	7.5	955	0.47	9.1	1069	0.58	10.9	1260	0.80	14.6	1457	1.10	18.5	1634	1.42	22	--	--	--	--
1600	1543	649	0.25	6.8	723	0.31	7.2	853	0.41	8.0	971	0.53	9.4	1083	0.64	11.2	1271	0.87	14.7	1451	1.14	18.5	1632	1.49	22	--	--	--	--
1700	1639	680	0.29	7.5	751	0.35	7.9	877	0.47	8.8	989	0.58	10.0	1098	0.71	11.8	1285	0.95	15.3	1452	1.21	18.5	--	--	--	--	--	--	
1800	1736	712	0.34	8.2	780	0.40	8.5	902	0.52	9.4	1009	0.65	10.6	1114	0.77	12.5	1303	1.03	15.7	1461	1.30	18.6	--	--	--	--	--	--	
1900	1832	744	0.40	8.7	809	0.46	9.0	927	0.59	10.0	1031	0.72	11.4	1130	0.85	12.9	1318	1.12	16.4	1474	1.40	19.1	--	--	--	--	--	--	
2000	1929	776	0.45	9.3	838	0.52	9.7	953	0.66	10.7	1055	0.79	12.0	1149	0.93	13.7	1333	1.22	16.6	1490	1.50	19.7	--	--	--	--	--	--	

SB-18

Max RPM - 1440

Motor:
 Max HP - 2
 Max Frame - 145T



Power rating bhp does not include transmission losses. Performance shown is for installation Type A: Free Inlet, Free Outlet. Performance ratings do not include the effects of appurtenances (accessories).

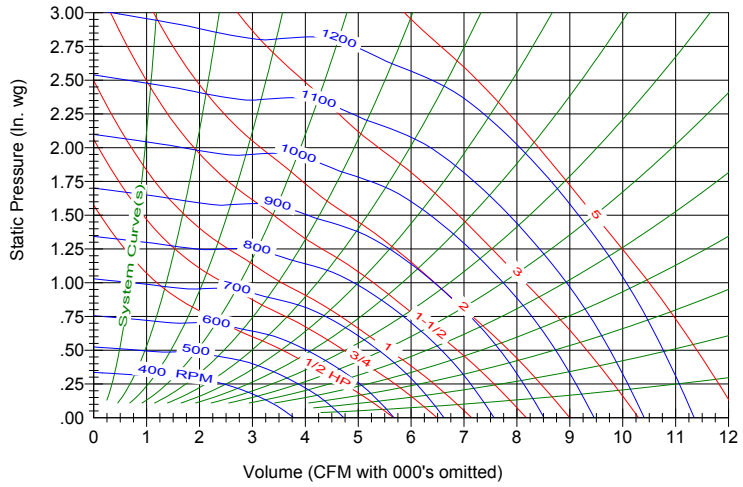
CFM	OUTLET VELOCITY FPM	1/8" SP		1/4" SP		1/2" SP		3/4" SP		1" SP		1-1/2" SP		2" SP		2-1/2" SP													
		RPM	BHP	SONES	RPM	BHP	SONES	RPM	BHP	SONES	RPM	BHP	SONES	RPM	BHP	SONES	RPM	BHP	SONES										
1200	823	396	0.09	2.7	492	0.13	3.3	653	0.23	5.3	798	0.38	7.5	917	0.53	9.4	1114	0.84	13.1	1276	1.18	--	1416	1.53	23	--	--	--	--
1400	960	427	0.12	3.3	519	0.18	4.0	666	0.28	5.6	800	0.42	7.8	922	0.59	9.6	1121	0.94	13.6	1287	1.31	17.3	1430	1.69	24	--	--	--	--
1600	1097	461	0.17	4.2	546	0.23	4.8	685	0.34	6.2	807	0.47	7.9	924	0.64	9.6	1126	1.03	13.8	1295	1.44	17.6	1440	1.86	25	--	--	--	--
1800	1234	499	0.22	5.1	575	0.29	5.6	709	0.42	6.9	823	0.54	8.5	929	0.70	9.9	1130	1.11	13.9	1299	1.56	18.0	--	--	--	--	--	--	--
2000	1371	540	0.29	6.1	607	0.36	6.5	736	0.52	7.8	843	0.65	9.1	943	0.80	10.2	1132	1.18	13.9	1304	1.67	18.1	--	--	--	--	--	--	--
2200	1508	583	0.37	7.3	641	0.44	7.5	763	0.61	8.7	867	0.77	9.8	962	0.92	10.9	1137	1.28	14.1	1306	1.77	18.2	--	--	--	--	--	--	--
2400	1646	626	0.47	8.3	678	0.53	8.6	791	0.72	9.7	895	0.91	10.8	984	1.07	11.9	1151	1.43	14.8	1306	1.86	18.2	--	--	--	--	--	--	--
2600	1783	670	0.58	9.5	717	0.65	9.6	821	0.84	10.6	922	1.06	11.7	1009	1.24	12.9	1169	1.59	15.6	--	--	--	--	--	--	--	--	--	--
2800	1920	713	0.71	10.5	758	0.79	11.0	854	0.98	11.7	950	1.21	12.6	1037	1.43	13.7	1189	1.81	16.7	--	--	--	--	--	--	--	--	--	--
3000	2057	757	0.86	11.9	800	0.95	12.1	888	1.14	12.4	978	1.38	13.5	1064	1.62	15.0	--	--	--	--	--	--	--	--	--	--	--	--	--
3200	2194	800	1.03	13.2	843	1.13	13.4	923	1.32	13.8	1008	1.57	14.9	1092	1.83	16.5	--	--	--	--	--	--	--	--	--	--	--	--	--
3400	2331	844	1.22	14.3	887	1.33	14.6	959	1.52	14.8	1041	1.78	16.1	--	--	--	--	--	--	--	--	--	--	--	--	--	--	--	--



SB-24

Max RPM - 1240

Motor:
Max HP-5
182T Frame

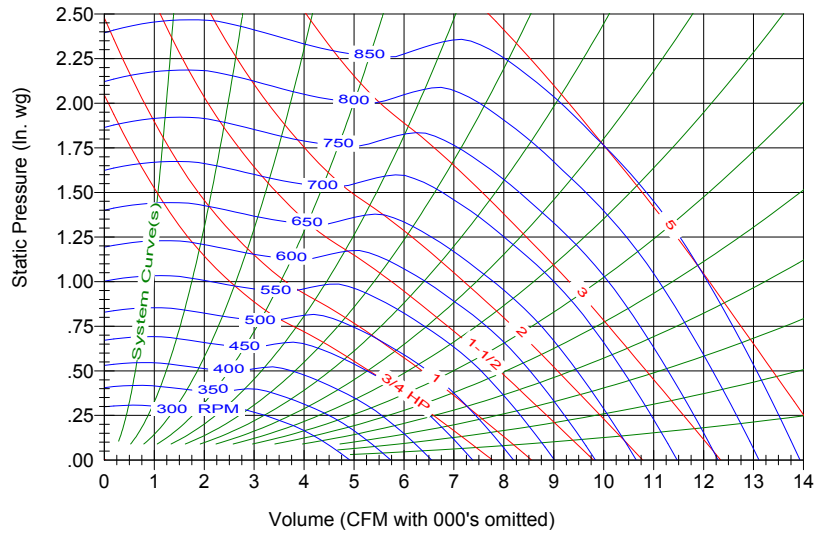


CFM	OUTLET VELOCITY FPM	1/8" SP			1/4" SP			1/2" SP			3/4" SP			1" SP			1-1/2" SP			2" SP			2-1/2" SP		
		RPM	BHP	SONES	RPM	BHP	SONES	RPM	BHP	SONES	RPM	BHP	SONES	RPM	BHP	SONES	RPM	BHP	SONES	RPM	BHP	SONES	RPM	BHP	SONES
800	771	427	0.05	2.1	542	0.08	3.3	726	0.14	5.3	895	0.23	7.5	1033	0.32	9.8	1255	0.52	14.3	1436	0.72	18.5	1592	0.93	--
900	868	451	0.07	2.7	557	0.10	3.7	731	0.16	5.4	893	0.25	7.5	1033	0.35	9.8	1263	0.56	14.6	1447	0.78	18.5	1606	1.01	--
1000	964	476	0.08	3.1	575	0.12	4.1	745	0.19	5.6	887	0.27	7.5	1033	0.37	9.8	1266	0.60	14.6	1456	0.84	18.5	1618	1.09	--
1100	1060	503	0.10	3.8	596	0.14	4.6	761	0.22	5.9	895	0.30	7.5	1028	0.40	9.7	1265	0.63	14.6	1460	0.89	18.6	1626	1.16	22
1200	1157	530	0.12	4.3	620	0.16	5.0	776	0.25	6.3	908	0.33	7.8	1026	0.43	9.7	1265	0.68	14.6	1461	0.94	18.6	1632	1.23	22
1300	1253	559	0.15	5.0	645	0.19	5.5	792	0.28	6.7	926	0.38	8.2	1037	0.47	10.1	1262	0.71	14.6	1461	0.99	18.6	1634	1.29	22
1400	1350	589	0.18	5.6	670	0.23	6.0	810	0.32	7.0	940	0.42	8.6	1051	0.52	10.3	1255	0.75	14.3	1461	1.05	18.6	1633	1.35	22
1500	1446	619	0.21	6.3	696	0.26	6.7	831	0.37	7.5	955	0.47	9.1	1069	0.58	10.9	1260	0.80	14.6	1457	1.10	18.5	1634	1.42	22
1600	1543	649	0.25	6.8	723	0.31	7.2	853	0.41	8.0	971	0.53	9.4	1083	0.64	11.2	1271	0.87	14.7	1451	1.14	18.5	1632	1.49	22
1700	1639	680	0.29	7.5	751	0.35	7.9	877	0.47	8.8	989	0.58	10.0	1098	0.71	11.8	1285	0.95	15.3	1452	1.21	18.5	--	--	--
1800	1736	712	0.34	8.2	780	0.40	8.5	902	0.52	9.4	1009	0.65	10.6	1114	0.77	12.5	1303	1.03	15.7	1461	1.30	18.6	--	--	--
1900	1832	744	0.40	8.7	809	0.46	9.0	927	0.59	10.0	1031	0.72	11.4	1130	0.85	12.9	1318	1.12	16.4	1474	1.40	19.1	--	--	--
2000	1929	776	0.45	9.3	838	0.52	9.7	953	0.66	10.7	1055	0.79	12.0	1149	0.93	13.7	1333	1.22	16.6	1490	1.50	19.7	--	--	--

SB-30

Max RPM - 860

Motor:
Max HP-5
182T Frame



Power rating bhp does not include transmission losses. Performance shown is for installation Type A: Free Inlet, Free Outlet. Performance ratings do not include the effects of ap-purtenances (accessories).

CFM	OUTLET VELOCITY FPM	1/8" SP			1/4" SP			1/2" SP			3/4" SP			1" SP			1-1/2" SP			2" SP			2-1/2" SP		
		RPM	BHP	SONES	RPM	BHP	SONES	RPM	BHP	SONES	RPM	BHP	SONES	RPM	BHP	SONES	RPM	BHP	SONES	RPM	BHP	SONES	RPM	BHP	SONES
1200	823	396	0.09	2.7	492	0.13	3.3	653	0.23	5.3	798	0.38	7.5	917	0.53	9.4	1114	0.84	13.1	1276	1.18	--	1416	1.53	23
1400	960	427	0.12	3.3	519	0.18	4.0	666	0.28	5.6	800	0.42	7.8	922	0.59	9.6	1121	0.94	13.6	1287	1.31	17.3	1430	1.69	24
1600	1097	461	0.17	4.2	546	0.23	4.8	685	0.34	6.2	807	0.47	7.9	924	0.64	9.6	1126	1.03	13.8	1295	1.44	17.6	1440	1.86	25
1800	1234	499	0.22	5.1	575	0.29	5.6	709	0.42	6.9	823	0.54	8.5	929	0.70	9.9	1130	1.11	13.9	1299	1.56	18.0	--	--	--
2000	1371	540	0.29	6.1	607	0.36	6.5	736	0.52	7.8	843	0.65	9.1	943	0.80	10.2	1132	1.18	13.9	1304	1.67	18.1	--	--	--
2200	1508	583	0.37	7.3	641	0.44	7.5	763	0.61	8.7	867	0.77	9.8	962	0.92	10.9	1137	1.28	14.1	1306	1.77	18.2	--	--	--
2400	1646	626	0.47	8.3	678	0.53	8.6	791	0.72	9.7	895	0.91	10.8	984	1.07	11.9	1151	1.43	14.8	1306	1.86	18.2	--	--	--
2600	1783	670	0.58	9.5	717	0.65	9.6	821	0.84	10.6	922	1.06	11.7	1009	1.24	12.9	1169	1.59	15.6	--	--	--	--	--	--
2800	1920	713	0.71	10.5	758	0.79	11.0	854	0.98	11.7	950	1.21	12.6	1037	1.43	13.7	1189	1.81	16.7	--	--	--	--	--	--
3000	2057	757	0.86	11.9	800	0.95	12.1	888	1.14	12.4	978	1.38	13.5	1064	1.62	15.0	--	--	--	--	--	--	--	--	--
3200	2194	800	1.03	13.2	843	1.13	13.4	923	1.32	13.8	1008	1.57	14.9	1092	1.83	16.5	--	--	--	--	--	--	--	--	--
3400	2331	844	1.22	14.3	887	1.33	14.6	959	1.52	14.8	1041	1.78	16.1	--	--	--	--	--	--	--	--	--	--	--	--

Drive Selection for the SB Series

Performance Table

		Model	SB-13		SB-15		SB-18		SB-24		SB-30	
		Shaft Dia.	3/4"		3/4"		1"		1"		1-3/16"	
		Motor Frame (*With motor adapter plate supplied)										
		Cast Iron Pulleys						56	56*	56	56	
		Browning-Woods-Maska	48	56	48	56	143T	143T*	143T	182T	143T	182T
							145T	145T*	145T	184T	145T	184T
RPM Range	Motor	Blower	'4L' Belt Size - Max 3/4 HP									
340	1VL34	AL104										
to	8325	AK104	--	--	--	--	--	--	4L400	--	4L420	--
519	MVL34	MFAL104										
427	1VL34	AL84										
to	8325	AK81	--	--	--	--	--	--	4L350	--	--	--
652	MVL34	MFAL84										
540	1VL40	AL84										
to	8400	AK81	--	--	--	--	4L340	4L320	4L360	--	--	--
765	MVL40	MFAL84										
575	1VL34	AL64										
to	8325	AK61	4L250	4L250	4L280	4L270	4L290	4L270	--	--	--	--
878	MVL34	MFAL64										
696	1VL34	AL51										
to	8325	AK51	4L230	4L220	4L260	4L250	4L270	4L250	--	--	--	--
1062	MVL34	MFAL54										
879	1VL40	AL51										
to	8400	AK51	4L240	4L230	4L270	4L260	4L280	4L260	--	--	--	--
1245	MVL34	MFAL54										
1135	1VL40	AK41										
to	8400	AK44	4L220	4L210	4L250	4L240	4L260	4L240	--	--	--	--
1608	MVL40	MA40										
B' Belt Size												
447	1LV34	BKH100										
to	8325	HB97T	--	--	--	--	--	--	--	--	B39	--
596	MVL34	MBL97										
500	1VL34	BKH90										
to	8325	HB87T	--	--	--	--	--	--	B34	--	B37	B38
667	MVL34	MBL87										
646	1VL44	BKH90										
to	8400	HB87T	--	--	--	--	--	--	B35	B33	--	B39
854	8400	MBL87										
848	1VL44	KBH70										
to	8400	HB67T	--	--	--	--	--	--	B31	B29	--	--
1121	8400	MBL67										
1005	1VL44	BKH60										
to	8400	HB57T	--	--	--	--	B27	B25	--	--	--	--
1329	8400	MBL57										
1233	1VL44	BKH50										
to	8400	HB47T	--	--	--	B24	B26	B24	--	--	--	--
1631	8400	MBL47										



523 James Street,
Delhi, Ontario N4B 2Z3 Canada

Tel: 519-582-2440

Fax: 519-582-0581

www.delhi-industries.com

sales@delhi-industries.com

Other DELHI Catalogues

- Cat. #SS-30** ___ Belt Drive Utility Blowers
- Cat. #SS-31** ___ Forward Curved Inline Duct Blowers
- Cat. #SS-32** ___ Forward Curved Fresh Air Supply Units
- Cat. #SS-38** ___ Heating & Cooling Coils
- Cat. #SS-43** ___ Forward Curved Roof Exhausters
- Cat. #SS-44** ___ Backward Inclined DWDI Blowers
- Cat. #SS-45** ___ Direct Drive Utility Blowers
- Cat. #SS-48** ___ Plenum Fans
- Cat. #SS-49** ___ Belt Drive Forward Curved DWDI Blowers
- Cat. #SS-50** ___ Backward Inclined Square Inline Blowers
- Cat. #SS-51** ___ Downblast Spun Aluminum Exhausters
- Cat. #SS-53** ___ Forward Curved Direct Drive DWDI Blowers
- Cat. #SS-54** ___ Upblast Spun Aluminum Exhausters

WARRANTY

Delhi Industries Air Moving products are guaranteed for a period of one year (12 consecutive months) from the date of sale against manufacturing defects in material and workmanship when operating under normal conditions. Liability is limited to the replacement of defective parts. Labour and transportation costs are not included.

If a replacement is warranted the following MUST be provided:

1. Model of equipment
2. Date of manufacture
3. Original invoice reference number(s)

REPRESENTED BY: