



FloAire

**Roof / Wall Mounted
Aluminum Make Up Air**



DMUA Series Motorized

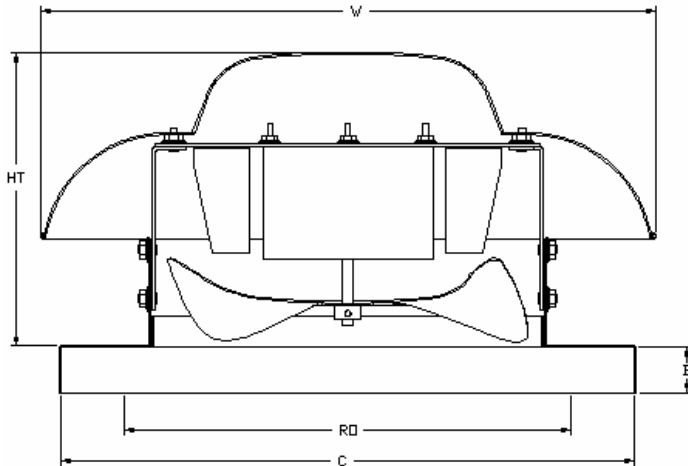
DMUA Series - Direct Drive Make Up Air

Features:

- Roof or Wall Mount
- Thermal Overload Protection
- Standard Bird Screen

Options:

- Wall Brackets
 - Roof Curbs
 - Back Draft Dampers
 - Motorized Dampers *
- *(Not Suitable in Wall Mount)



DMUA Dimensions:

FAN MODEL	HT	W	B	C	RD	WEIGHT LB
DMUA14	12 5/8	27 5/16	2	21	16	45
DMUA18	14 3/8	33 9/16	2	26	20	67

Performance Data: DMUA

Model	HP	RPM	Static Pressure in Inches W.G.				
			0.000	0.125	0.250	0.375	0.500
DMUA14	1/6	1100	1450	1174	904	670	439
DMUA18	1/3	1100	2460	2220	1980	1639	1300



FloAire

Roof / Wall Mounted Aluminum Make Up Air



EMUA Series Non Motorized

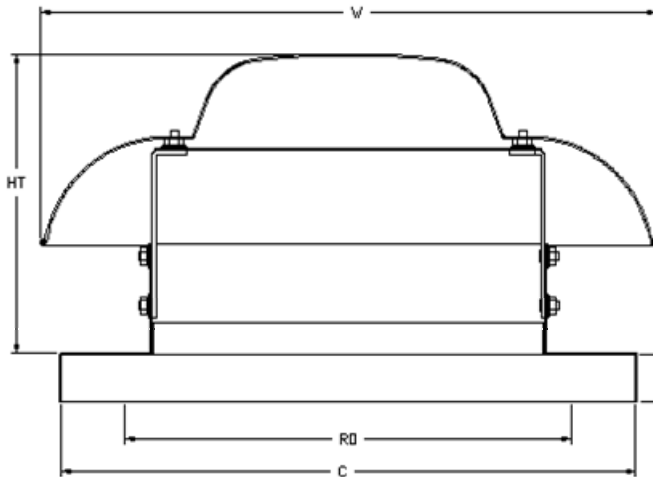
EMUA Series – Gravity Make Up Air

Features:

- Roof or Wall Mount
- Standard Bird Screen
- Non Motorized (Gravity Intake)

Options:

- Wall Brackets
- Roof Curbs
- Motorized Dampers



FAN MODEL	HT	W	B	C	RD	WEIGHT LB
EMUA-12	9 3/4	20 5/16	2	19	13	21
EMUA-14	12 5/8	27 5/16	2	21	16	33
EMUA-18	14 3/8	33 9/16	2	26	20	51

Performance Data EMUA Models

Approximate CFM against static resistance is based on a throat area velocity of approximately 1200 fpm

Size	CFM Against Static Resistance
12"	1000
14"	1475
18"	2400