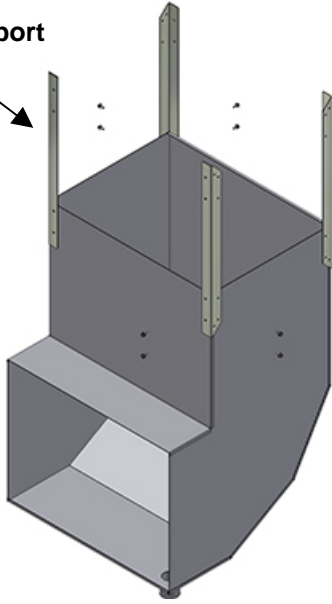
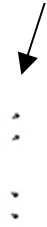


## BI/BI-RM/HRE V-CAP INSTALLATION INSTRUCTIONS (HRE SHOWN)

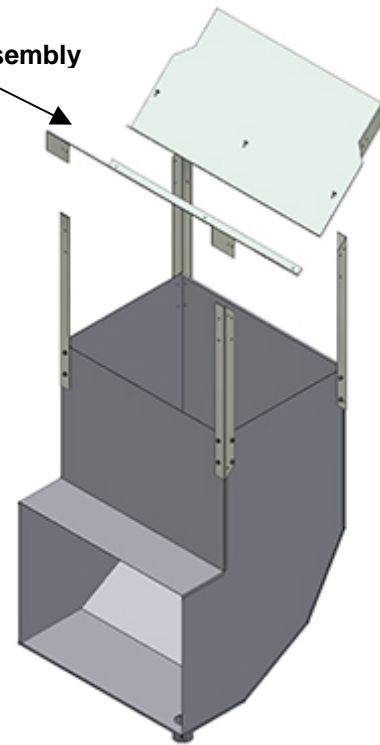
V-Cap support



1/4-20 UNC  
Screws



V-Cap assembly

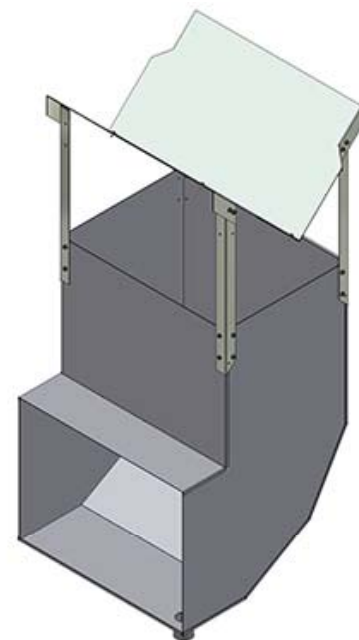
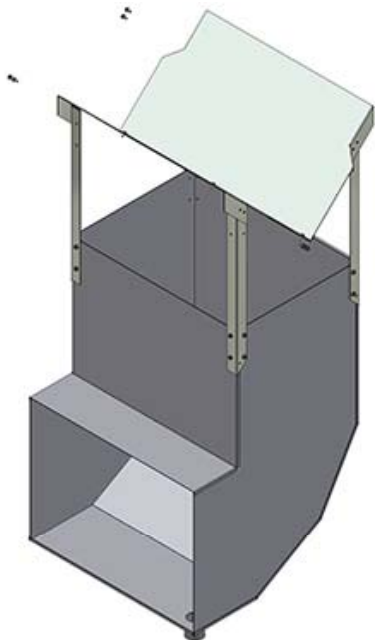


### Step 1:

Locate V-Cap supports approximately 6" from the top of the outlet to the bottom of the supports and drill 7/32 diameter holes. Secure supports to outlet using supplied 1/4-20 fasteners.

### Step 2:

Place the V-cap pieces together forming a V-Shape. Secure using 1/4-20 fasteners supplied.



### Step 3:

Lower the assembled V-Cap into place.

### Step 4:

Secure the supports using the supplied 1/4-20 fasteners.